



Section M Index

WEATHERPROOF PRODUCTS

| | |
|--|----|
| Weatherproof Covers | |
| Industrial..... | M1 |
| Die-Cast Aluminum..... | M2 |
| Standard Single & Two-Gang..... | M3 |
| Polycarbonate "While In Use"..... | M4 |
| Weatherproof Boxes | |
| Single-Gang..... | M5 |
| Single-Gang Deep, Extensions..... | M6 |
| Two-Gang..... | M7 |
| Splice Boxes, Lampholders, Kits..... | M8 |
| Blank Covers, Lever Switches, Accessories..... | M9 |

Industrial Weatherproof Covers

Features - Specifications

- Rugged die-cast aluminum construction with gray epoxy ① finish provides excellent corrosion resistance
- Self-closing lift lid cover with heavy-duty stainless steel spring assures maximum weatherproof protection

- All weatherproof covers are furnished complete with nickel-plated brass mounting screws, (except catalog numbers 23007 and 7770 furnished with stainless steel mounting screws).
- F.S. and F.D. box mounting

- UL Listed, wet, damp and dry locations with cover closed



4510B



4510D



7420B



23007



7770

INDUSTRIAL, CAST ALUMINUM OUTDOOR PLATES, VERTICAL, F.S. MOUNTING

| CATALOG NUMBER | APPLICATION |
|----------------|--|
| 4510B | Duplex receptacle opening |
| 4510D | GFI/Fashion NEMA 1.3" (33.0) x 2.6" (66.0) opening |
| 7418B | 1.40" (35.6) dia. opening, 15 and 20 amp single receptacle |
| 7420B | 1.62" (41.1) dia. opening, 20 and 30 amp locking receptacle |
| 7427B | 2.15" (54.6) dia. opening, 30 and 50 amp, 3-wire power receptacles |
| 7429B | 2.31" (58.7) dia. opening for "MBWP" inlets |
| 7770 | 50 amp standard locking receptacles |
| 23007 | 20 amp power interrupting, locking receptacles |
| 20405 | 30 amp power interrupting, locking receptacles |

HORIZONTAL F.S. AND DEVICE MOUNTING

| | |
|-------|-----------------------------------|
| 5210B | Duplex receptacle, device mounted |
| 5211B | Duplex receptacle, F.S. mounting |

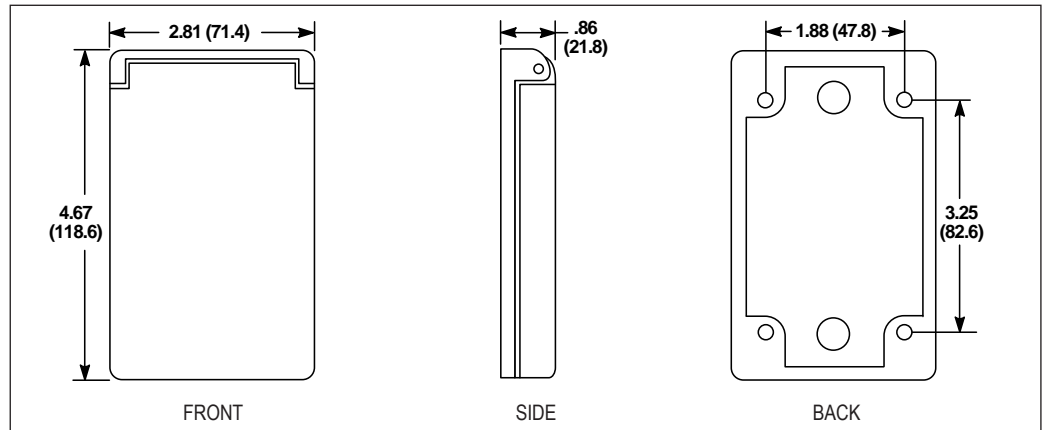
INDUSTRIAL, POLYCARBONATE OUTDOOR PLATE, VERTICAL, F.S. MOUNTING

| | |
|------------|---|
| 7774CR ② ③ | 50 amp "CS" or standard locking receptacles |
|------------|---|

RECOMMENDED WEATHER PROTECTIVE COVERS

| 7418B | | 7420B | | | 7427B | 7770/7774CR | 7774CR |
|-------|---------|---------|---------|---------|--------|-------------|---------|
| 556 | 8310 | 70520FR | 71230FR | 72120FR | 9530FR | 3771 | CS6369 |
| 5261 | 7250 | 70620FR | 71330FR | 72220FR | 9630FR | 7379 | CS6370 |
| 5251 | 5284 | 70720FR | 71420FR | 72320FR | 9303 | 3769 | CS8169 |
| 5661 | 5258 | 70820FR | 71520FR | 72130FR | 9306 | 6369CR | CS8269 |
| 5361 | 5684 | 70920FR | 71620FR | 72230FR | 9550FR | 6370CR | CS8369 |
| 5351 | 5384 | 70530FR | 71430FR | 72330FR | 9650FR | | CS8469 |
| 5461 | 5484 | 70630FR | 71530FR | 3330 | | | CS6369N |
| 4710 | 5261IG | 70730FR | 71630FR | 3430 | | | CS6370N |
| 4760 | 5361IG | 70830FR | 71730FR | 3520 | | | CS8169N |
| 7582 | 7535 | 70930FR | 71820FR | 7410 | | | CS8269N |
| 7310 | 70615FR | 71020FR | 71920FR | 40045FR | | | CS8369N |
| 8210 | | 71120FR | 72020FR | FSL1FR | | | CS8469N |
| | | 71220FR | 71830FR | FSL2FR | | | |
| | | 71030FR | 71930FR | FSL3FR | | | |
| | | 71130FR | 72030FR | FSL4FR | | | |

PRODUCT DIMENSIONS – () Indicates mm dimensions



① Catalog Numbers 23007 and 7770 have lacquer finish.
 ② "CS" 50 amp locking receptacles require this cover.
 ③ Outline drawing is shown on page I-19.

See page I-19 for additional information on Weather Protective Inlet & Outlet Covers.
 Specifications are subject to change without notice.

SINGLE-GANG – VERTICAL

| | CAT. NO. | DESCRIPTION |
|--|----------|--|
| | RB50270 | Duplex Opening |
| | RB50280 | GFI/Fashion Opening |
| | RB50310 | Single Receptacle Opening, 1.406 D. (35.7) |
| | RB50290 | Locking Receptacle Opening, 1.710 D. (43.4) |
| | RB50300 | Power Outlet Opening 30-50 Amp 2.150 D. (54.6) |

TWO-GANG – VERTICAL

| | CAT. NO. | DESCRIPTION |
|--|----------|---|
| | RB50320 | 2-Duplex Openings |
| | RB50330 | 1-Duplex, 1-GFI/Fashion Opening |
| | RB50450 | 2-GFI/Fashion Opening |
| | RB50430 | 1-Switch, 1-GFI/Fashion Opening |
| | RB50340 | Power Outlet Opening 30-50-60 Amp 2.625 D. (66.7) |
| | RB50360 | Power Outlet Opening 30-50 Amp 2.156 D. (54.8) |

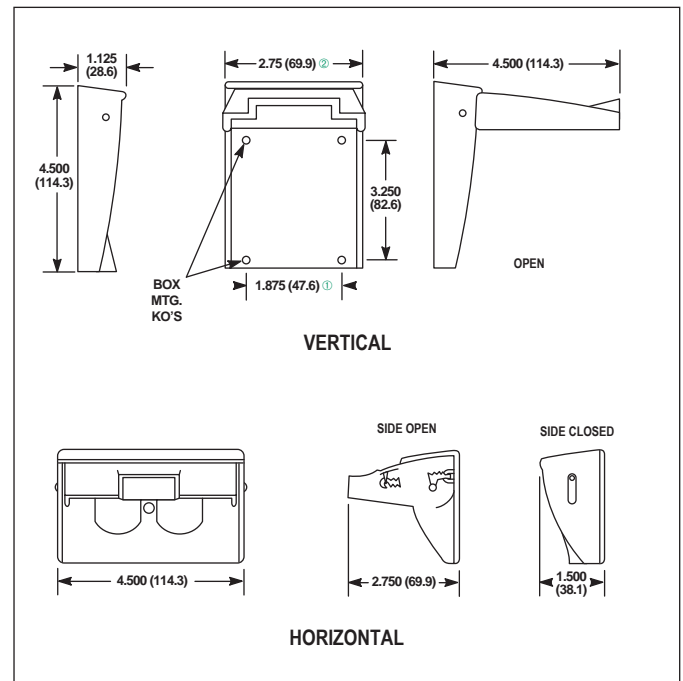
Features - Specifications

- Rugged, die-cast aluminum construction
- Gray powder coat finish for maximum weatherability and scratch resistance
- Self-closing covers, vertical or horizontal
- Dual mounting feature permits cover to be device or box-mounted. Knockouts are provided for box-mounted installations
- A downward pull on the cover provides easy access to top mounting holes
- Vertical outdoor series can be padlocked to stop power pilferage, discourage vandalism and help prevent accidents. 1/4" diameter hole
- Hooded design protects device from three sides
- Stainless steel springs, nickel-plated brass mounting screws
- All weatherproof covers are furnished complete with mounting screws and super seal gasket
- UL Listed for wet locations with cover closed
- Complies with UL Standard 514A
- CSA - C22.2 No. 18
- NEMA 3R rated

SINGLE-GANG – HORIZONTAL

| | CAT. NO. | DESCRIPTION |
|--|----------|---------------------|
| | RB50010 | Duplex Opening |
| | RB50020 | GFI/Fashion Opening |

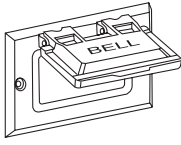
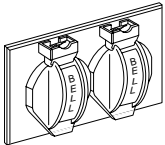
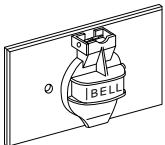
DIMENSIONAL DATA – () Indicates mm dimensions



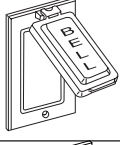
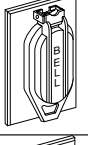
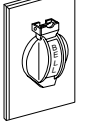
①2-Gang KO width is 3.562 (90.5).
②2-Gang, 4.562 (115.9) total width.

Specifications are subject to change without notice.

**SINGLE-GANG
DEVICE MOUNTED – HORIZONTAL**

| | CAT. NO. | DESCRIPTION |
|---|--------------------|--|
|  | RB51010 | GFCI Opening |
|  | RB51800 | Duplex Opening |
|  | RB51520 RB51530 | Single Receptacle 1.406 D. (35.7) Plate with – 15A 125V Male Base |

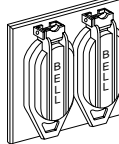
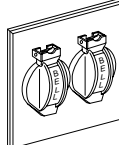
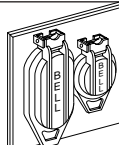
VERTICAL

| | CAT. NO. | DESCRIPTION |
|---|----------|--------------------------------------|
|  | RB51030 | GFCI Opening |
|  | RB51460 | Duplex Opening |
|  | RB51550 | Single Receptacle 1.406 D. (35.7) |

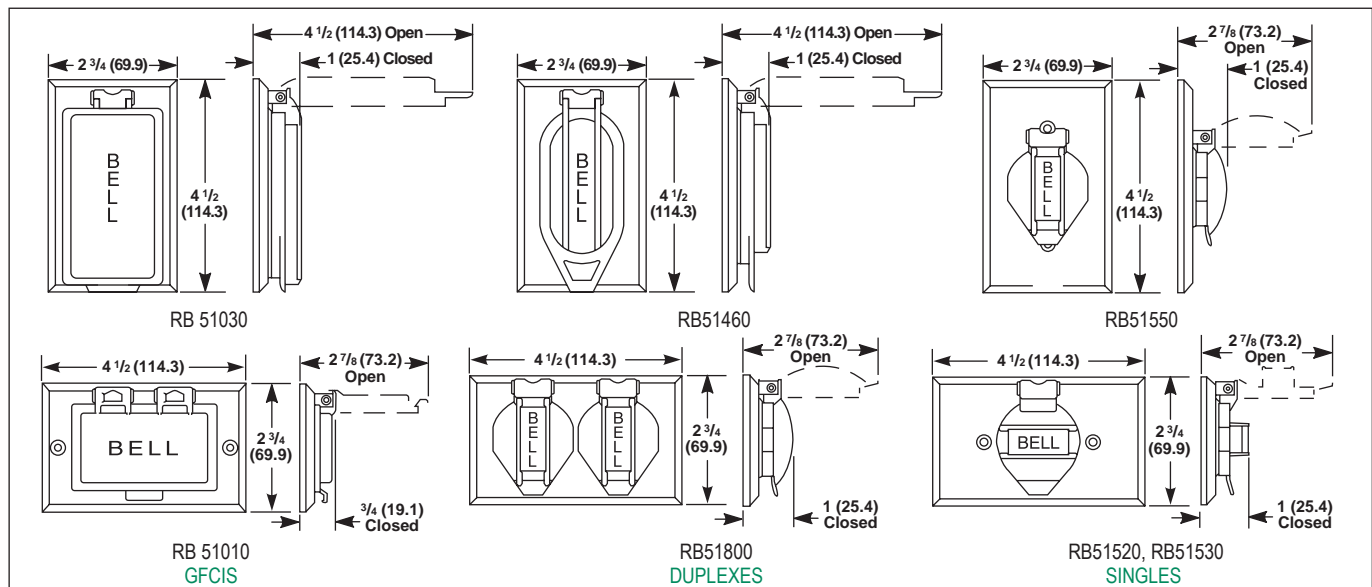
Features - Specifications

- Traditional style cover, lid covers the device only
- Both cover and individual lid are gasketed
- Horizontal or vertical
- Self-closing, used for receptacle or switch
- Rugged metallic construction
- All weatherproof covers are furnished complete installation hardware and gasket
- UL Listed for wet locations with cover closed
- Complies with UL Standard 514A
- CSA - C22.2 No. 18
- NEMA 3R rated
- C/UL (RB51010 and RB51030)

**TWO-GANG
DEVICE MOUNTED – VERTICAL**

| | CAT. NO. | DESCRIPTION |
|---|----------|--|
|  | RB51480 | 2-Duplex Openings |
|  | RB5157-0 | 2-Single Receptacles 1.406 D. (35.7) |
|  | RB51600 | 1-Duplex Opening 1-Single Receptacle 1.406 D. (35.7) |

PRODUCT DIMENSIONS – () Indicates mm dimensions



CSA Certified.
Specifications are subject to change without notice.

Weatherproof Products "While in Use" Covers, Single and Two-Gang Standard and Deep Sizes

Features - Specifications

- Modular-interchangeable device configuration inserts included to maximize applications and minimize inventory requirements
- Durable corrosion-resistant polycarbonate construction
- Large cord opening for heavy gauge cords
- Rated NEMA 3R
- Box or device mounting

- Suitable for wet locations when receptacle is in use and with cover closed in accordance with the NEC
- Latching tab secures cover closed
- Covers offer lockout tagout feature to prevent accidental power up or tampering
- Tinted lid, hides dirt, dust and scratches
- Holes for padlocks are 1/4" (6.4)
- Drill points in four corners for box mounting

- Covers include box gasket, lids have gasketless design
- UL Listed Standard 514C
- CSA-C22.2 No. 18
- NEMA 3R Rated

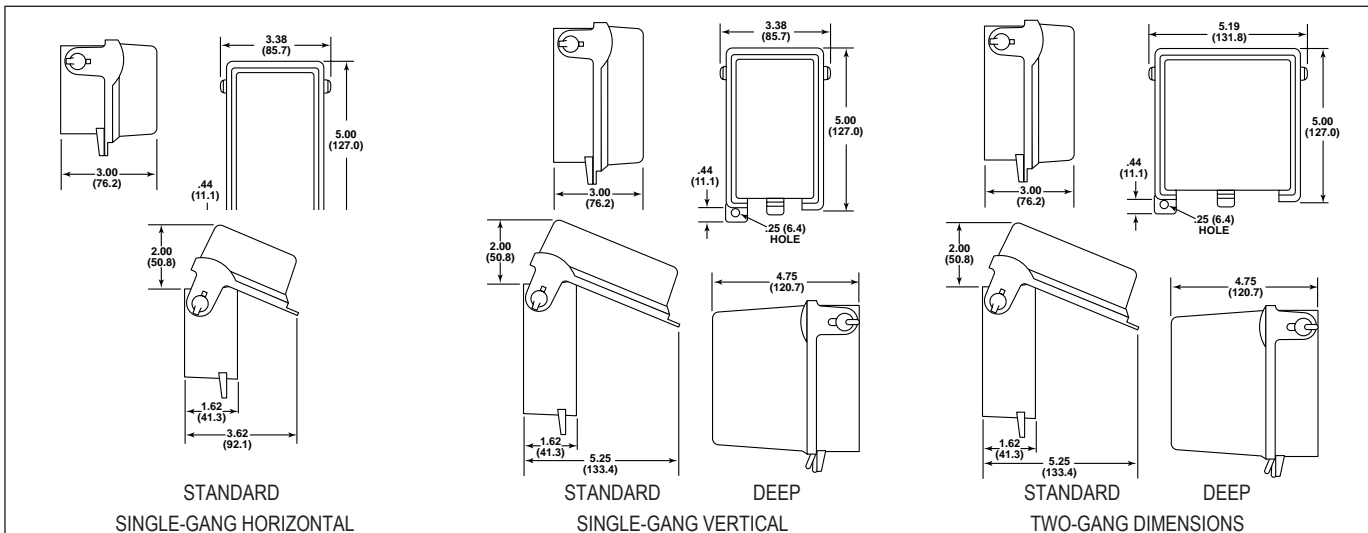
STANDARD AND DEEP COVERS SINGLE-GANG

| | CAT. NO. | | DESCRIPTION |
|--|----------|---------|--|
| | STANDARD | DEEP | |
| | RB57610 | — | Horizontal mounting supplied with standard duplex and GFCI/ Fashion Series insert |
| | RB57520 | RB57810 | Vertical Mounting supplied with standard duplex and GFCI/ Fashion Series inserts |
| | RB57530 | RB57800 | Supplied with Vertical Mounting Single 1.406" dia. (35.7) and Single 1.595" dia (40.5) Inserts |

STANDARD AND DEEP COVERS TWO-GANG

| | CAT. NO. | | DESCRIPTION |
|--|----------|---------|--|
| | STANDARD | DEEP | |
| | RB57760 | RB57840 | Vertical Mounting supplied with single 2.156" dia (54.8) and Single 2.656" dia. (67.4) inserts Deep version, 2-gang add 1.593" dia. (40.5) |
| | RB57700 | RB57890 | Vertical Mounting supplied with double duplex and GFCI/ Fashion Series inserts |

DIMENSIONAL DATA – () Indicates mm dimensions

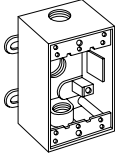
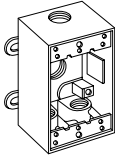


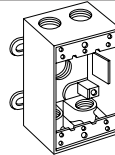
Specifications are subject to change without notice.

Features - Specifications

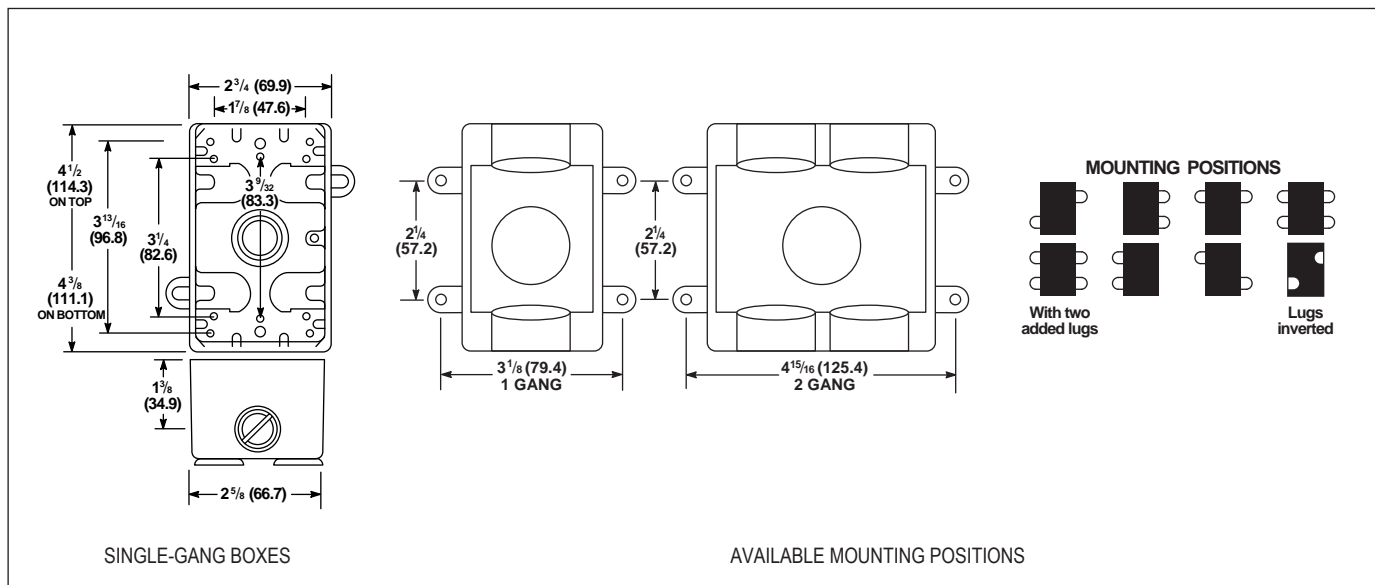
- Rugged, die-cast aluminum construction
- Gray, powder coated, corrosion-resistant finish
- Large cubic inch capacities
- Tapered for water runoff
- Boxes available, 1/2" to 3/4" outlets
- Mounting strap accepts virtually every cover and wiring device
- Precision threaded outlets, multiple combinations available
- Boxes supplied complete, closure plugs, mounting lugs, ground screw included
- UL Listed for wet, damp, dry locations
- Complies with UL Standard 514A
- CSA - C22.2 No. 18
- NEMA 3R Rated

2" DEEP WITH LUGS

| | CAT. NO. | SIZE NPT | CU. IN. (CC) | DESCRIPTION |
|--|----------|----------|---------------|---|
|  | RB53200 | 1/2" | 17.5 (286.79) | Three Outlets 1 outlet, each end 1 outlet, in back |
| | RB53240 | 3/4" | 17.0 (278.60) | |
|  | RB53210 | 1/2" | 17.0 (278.60) | Four Outlets 2 outlets, one end 1 outlet, one end 1 outlet, in back |
| | RB53300 | 3/4" | 16.5 (270.40) | |

| | CAT. NO. | SIZE NPT | CU. IN. (CC) | DESCRIPTION |
|---|----------|----------|---------------|---|
|  | RB53220 | 1/2" | 16.5 (270.40) | Five Outlets 2 outlets, each end 1 outlet, in back |
| | RB53310 | 3/4" | 16.0 (262.20) | |

DIMENSIONAL DATA – () Indicates mm dimensions

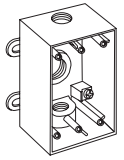


Specifications are subject to change without notice.

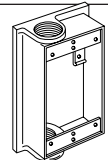
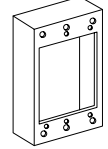
Features - Specifications

- Rugged, die-cast aluminum construction
- Gray, powder coated, corrosion-resistant finish
- Large cubic inch capacities
- Tapered for water runoff
- Boxes available, 1/2" to 1" outlets
- Mounting strap accepts virtually every cover and wiring device
- Precision threaded outlets, multiple combinations available
- Boxes supplied complete, closure plugs, mounting lugs, ground screw included
- UL Listed for wet, damp, dry locations
- Complies with UL Standard 514A
- CSA - C22.2 No. 18
- NEMA 3R Rated

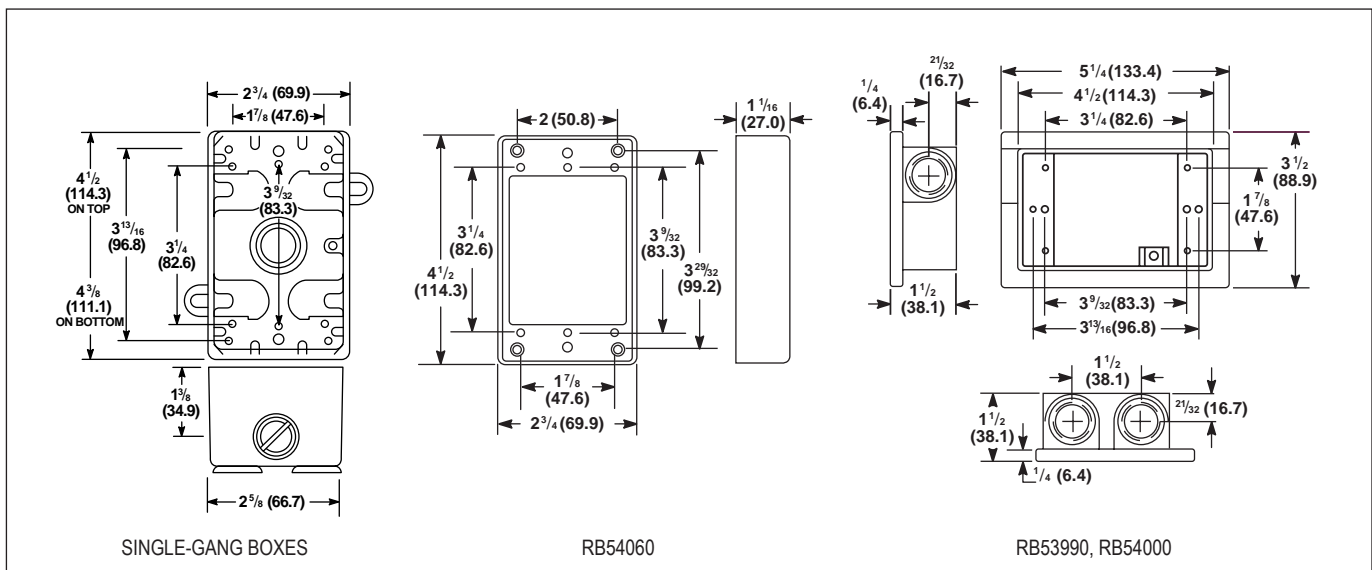
2 5/8" DEEP WITH LUGS

| | CAT. NO. | SIZE NPT | CU. IN. (CC) | DESCRIPTION |
|---|----------|----------|---------------|---|
|  | RB53850 | 1/2" | 21.3 (349.06) | Three Outlets 1 outlet, each end 1 outlet, in back |
| | RB53860 | 3/4" | 21.3 (349.06) | |
| | RB53870 | 1" | 21.3 (349.06) | |

EXTENSION ADAPTERS – EXTENSION RING

| | CAT. NO. | SIZE NPT | CU. IN. (CC) | DESCRIPTION |
|--|----------|----------|---------------|---|
|  | RB53990 | 1/2" | 13.3 (337.82) | Adapter Two Outlets 1 outlet, each end |
| | RB54000 | 1/2" | 13.3 (337.82) | Six Outlets 2 outlets, top & bot., 1 each on sides |
|  | RB54060 | — | 10.1 (256.54) | 1" Deep Blank Ring |

DIMENSIONAL DATA – () Indicates mm dimensions

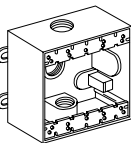
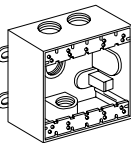
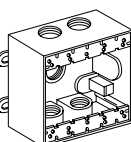
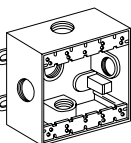
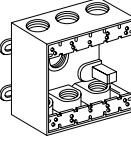


Specifications are subject to change without notice.

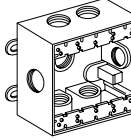
Features - Specifications

- Rugged, die-cast aluminum construction
- Gray, powder coated, corrosion-resistant finish
- Large cubic inch capacities
- Tapered for water runoff
- Precision threaded outlets, multiple combinations available
- Boxes supplied complete, closure plugs, mounting lugs, ground screw included
- UL Listed for wet, damp, dry locations
- One and two-gang boxes available, 1/2" to 1" outlets
- Mounting strap accepts virtually every cover and wiring device
- Complies with UL Standard 514A
- CSA - C22.2 No. 18
- NEMA 3R Rated

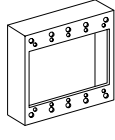
TWO-GANG BOXES – 2" DEEP WITH LUGS

| | CAT. NO. | SIZE NPT | CU. IN. (CC) | DESCRIPTION |
|---|----------|----------|---------------|---|
|  | RB53330 | 1/2" | 30.5 (499.83) | Three Outlets 1 outlet, each end 1 outlet, in back |
| | RB53410 | 3/4" | 30.5 (499.83) | |
|  | RB53350 | 1/2" | 30.0 (499.83) | Four Outlets 2 outlets, one end 1 outlet, one end 1 outlet, in back |
| | RB53430 | 3/4" | 30.0 (499.83) | |
|  | RB53370 | 1/2" | 29.0 (475.25) | Five Outlets 2 outlets, each end 1 outlet, in back |
| | RB53450 | 3/4" | 29.0 (475.25) | |
|  | RB53340 | 1/2" | 30.5 (499.83) | Five Outlets 1 outlet, each end 1 outlet, each side 1 outlet, in back |
| | RB53420 | 3/4" | 30.5 (499.83) | |
|  | RB53400 | 1/2" | 28.0 (458.86) | Seven Outlets 3 outlets, each end 1 outlet, in back |
| | RB53480 | 3/4" | 28.0 (458.86) | |

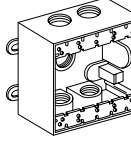
TWO-GANG BOXES – 2" DEEP WITH LUGS

| | CAT. NO. | SIZE NPT | CU. IN. (CC) | DESCRIPTION |
|---|----------|----------|---------------|---|
|  | RB53380 | 1/2" | 29.0 (475.25) | Seven Outlets 2 outlets, each end 1 outlet, each side 1 outlet, in back |

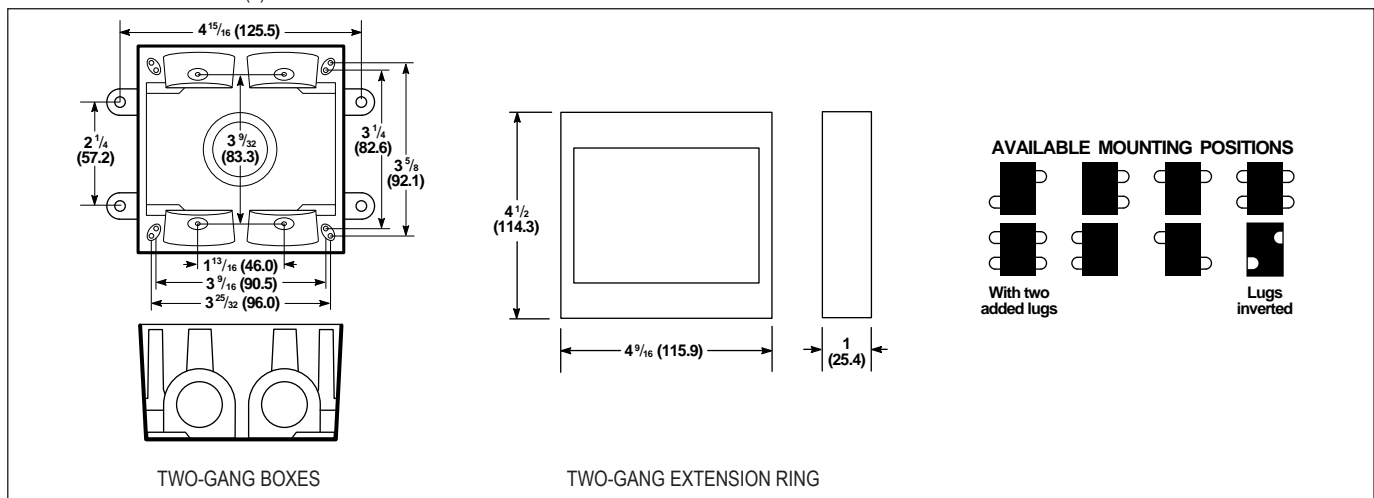
TWO-GANG EXTENSION RING

| | CAT. NO. | SIZE NPT | CU. IN. (CC) | DESCRIPTION |
|--|----------|----------|---------------|-------------------------------------|
|  | RB54070 | — | 16.3 (267.12) | 1" Deep For outdoor boxes |

2 5/8" DEEP WITH LUGS

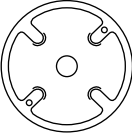

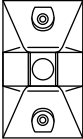
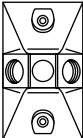
| | CAT. NO. | SIZE NPT | CU. IN. (CC) | DESCRIPTION |
|---|----------|----------|---------------|---|
|  | RB53880 | 3/4" | 36.5 (598.16) | Five Outlets 2 outlets, each end 1 outlet, in back |
| | RB53890 | 1" | 36.5 (598.16) | |

DIMENSIONAL DATA – () Indicates mm dimensions

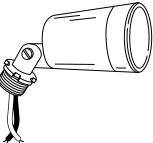


Specifications are subject to change without notice.

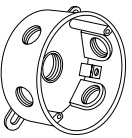
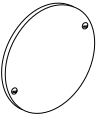
CLUSTER COVERS – ZINC, 1/2" THREADED OUTLETS WITH GASKET & MOUNTING SCREWS

| | CAT. NO. | DESCRIPTION |
|---|----------|--|
|  | RB51930 | 4" Round, One Outlet |
|  | RB51970 | 4" Round Three Outlets With 2 Closure Plugs |
|  | RB51860 | Single-Gang One Outlet |
|  | RB51890 | Single-Gang Three Outlets With 2 Closure Plugs |

WEATHERPROOF LAMPHOLDERS FOR 75-150 WATT PAR 38 LAMPS THREADED FOR 1/2" OUTLETS, 6" WIRE LEADS

| | CAT. NO. | DESCRIPTION |
|---|----------|-----------------------------|
|  | RB56060 | Standard Lampholder Gray |

4" DIAMETER SPLICE BOXES/COVERS 1 1/2" DEEP FIVE OUTLETS WITH LUGS

| | CAT. NO. | DESCRIPTION |
|---|--------------------|--|
|  | RB53610 RB53720 | Aluminum 15.8 cu. in. (258.93 cc) 1/2" Outlets 3/4" Outlets |
|  | RB53740 | Aluminum Blank Cover With Gasket and Mtg. Screws |

Features - Specifications


BOXES – COVERS

- Durable die-cast construction
- UL Listed
- Splice boxes have integral surface lugs for simple, quick installation
- Covers include gaskets, mounting screws


WEATHERPROOF LAMPHOLDERS

- Durable die-cast construction
- UL Listed
- Porcelain sockets, brass screw shells, 6" wire leads
- Internal lamp sealing gasket
- Fully adjustable locking swivels

POOL PUMP RECEPTACLE KIT

| CAT. NO. | DESCRIPTION |
|---|---|
|  | Pool Pump Receptacle Kit Contains: <ul style="list-style-type: none"> • NEMA L5-20 locking receptacle • 20A 120-277V AC single-pole switch • 2-gang, die-cast aluminum weatherproof box • 2-gang, while-in-use cover • Mounting hardware, gasket, wire connector, (3) closure plugs |
| PKL520 | • Complete assembly instructions |

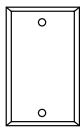
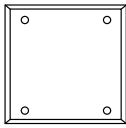
GENERATOR POWER CONNECTION KIT

| CAT. NO. | DESCRIPTION |
|--|---|
|  | Generator Connection Kit Contains: <ul style="list-style-type: none"> • NEMA L14-30 locking receptacle • 30A 125/250V; 3-pole 4-wire • Die-cast aluminum weatherproof box • While-in-use cover • Mounting hardware and gasket |
| RB58405 | |



Weatherproof Products

Blank Covers, Lever Switch Covers, and Accessories

BLANK COVERS – GRAY WITH GASKET AND MOUNTING SCREWS

| | CAT. NO. | DESCRIPTION |
|---|--------------------|------------------------------------|
|  | RB51730 RB51740 | Single-Gang Device Mount Box Mount |
|  | RB51750 | Two-Gang Box Mount |

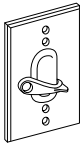
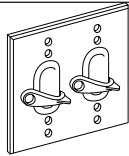
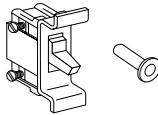
BOX AND COVER ACCESSORIES

| | CAT. NO. | DESCRIPTION |
|--|-------------------------------|---|
|  | RB53030 | Mounting Lugs |
|  | RB52690 RB52700 RB52710 | $\frac{1}{2}$ " $\frac{3}{4}$ " 1" Threaded Closure Plugs |

Features - Specifications COVERS ONLY

- Rugged metallic construction
- Covers, boxes supplied complete, with gaskets, screws
- UL Listed - Standard 514A
- CSA - C22.2 No. 18
- NEMA 3R rated

LEVER SWITCH COVERS – GRAY WITH GASKET, MOUNTING SCREWS, FERRULES

| | CAT. NO. | DESCRIPTION |
|--|-------------------------------|---|
|  | RB51210 | Single-Gang Cover |
|  | RB51250 | Two-Gang |
|  | RB52010 RB52020 RB52040 | 1-Pole Switch 10A 125V AC 3-Way Switch 10A 125V AC Ferrules – Spacers for Standard Switches |